

Scala XL Wall Panel

Design Anya Sebton



abstracta



Scala XL

Design Anya Sebton

Scala XL is an enlarged version of Anya Sebton's influential sound absorbent Scala. Scala XL is developed to improve the soundscape in large and noisy spaces such as assembly halls, auditoriums, lobbies, and shopping malls.

Specifications

Scala XL's interplay of shape and material has a powerful sound absorbing effect. The increase of size not only amplifies its acoustic capacity, but also affects its aesthetic qualities. Scala XL is available in two different versions: convex and concave shape.



Absorption

Certificates, images & CAD files:

abstracta.se/product/scala-xl/

Pattern configuration tool:

<https://conf.abstracta.se/>



Convex

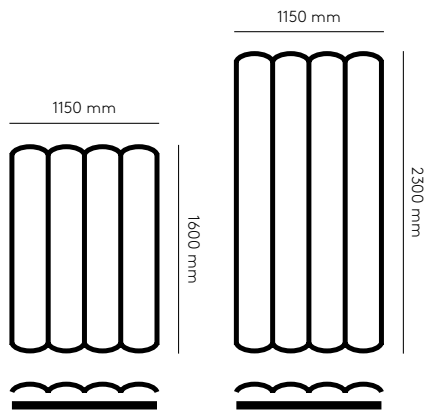


Concave

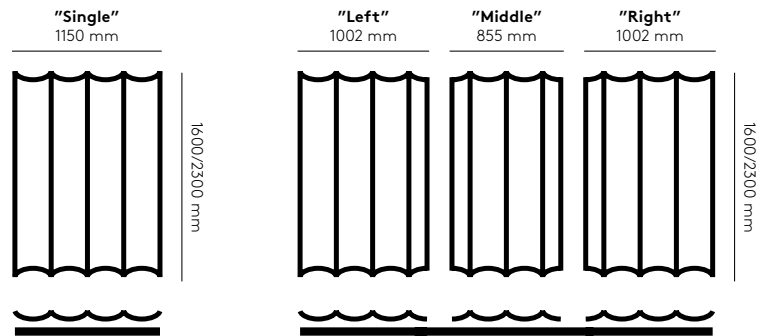
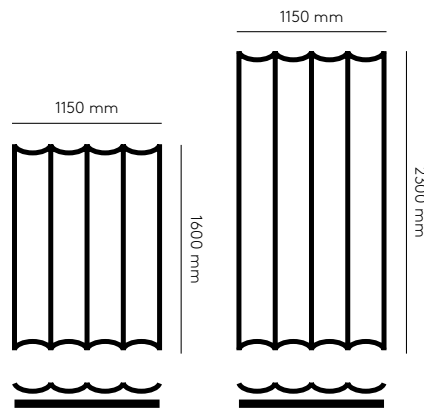


Scala XL

Convex



Concave



*The image illustrates which concave units are used in a cohesive configuration on a larger wall. Contact customer service if you have any questions.

Technical Specification

Material

Acoustic polyester, upholstered with polyester fabric or wool fabric.
Upholstery is optional and comes in a wide range of colors.

Measurements

Convex	Weight	Concave	Weight
1150x2300x90 mm	12,5 kg	1150x2300x90 mm "Single"	12,5kg
1150x1600x90 mm	8,8 kg	855x2300x90 mm "Middle"	9,9 kg
		1002x2300x90 mm "Right"/"Left"	11,4 kg
		1150x1600x90 mm "Single"	8,8 kg
		855x1600x90 mm "Middle"	7,1 kg
		1002x1600x90 mm "Right"/"Left"	8 kg

Installation

The wall absorber is wall-hung using concealed suspension fittings in metal (included).

Circularity

The sound absorber is partly made from textile waste and polyester reclaimed from recycled PET bottles to lower the environmental impact. The product is designed to be reused and we offer 10 years spare part warranty. Use our reuse service when the product's lifecycle is over, see more: www.abstracta.se.